

## BASIC INFORMATION

Diagonal duct fan DVP HIDE with duct connection diameter of 100, 125 or 150 mm. The fan is designed for connection to air ducts and air extraction from small and medium-sized rooms such as bathrooms, kitchens, garages, etc. Thanks to its overall small dimensions, it facilitates installation even in hard-to-reach places with limited space.

### Installation:

DVP HIDE fans are installed in the duct as continuous and fixed to a wall, ceiling or frame prepared for the installation of a circular duct. Connection to the electrical installation must be carried out by qualified personnel!

After unpacking the fan, check for :

- the condition of the power cable (cuts, cracks in the insulation)
- the condition of the fan housing (dents, deformation)
- the propeller should not rub against the casing.

The data on the technical label should correspond to the parameters of the given electrical installation.

Installation instructions here: [https://youtu.be/fnl\\_njzmlE0?si=mQvXdMx7o33IalS4](https://youtu.be/fnl_njzmlE0?si=mQvXdMx7o33IalS4)



## FEATURES AND BENEFITS

Three-stage duct fan

- Connection to pipe dia. 100,125,150 mm
- Ball bearings
- Small dimensions
- High coverage IPX2 (resistance against splashing water at all angles)
- Suitable for extracting air from small and medium-sized rooms

Odp - zpracoval:	David Behner	Spr - schválil:	Jan Hájek	Datum:	
Podpis:		Podpis:		Strana / Počet stran:	1/2

# TECHNICAL SHEET

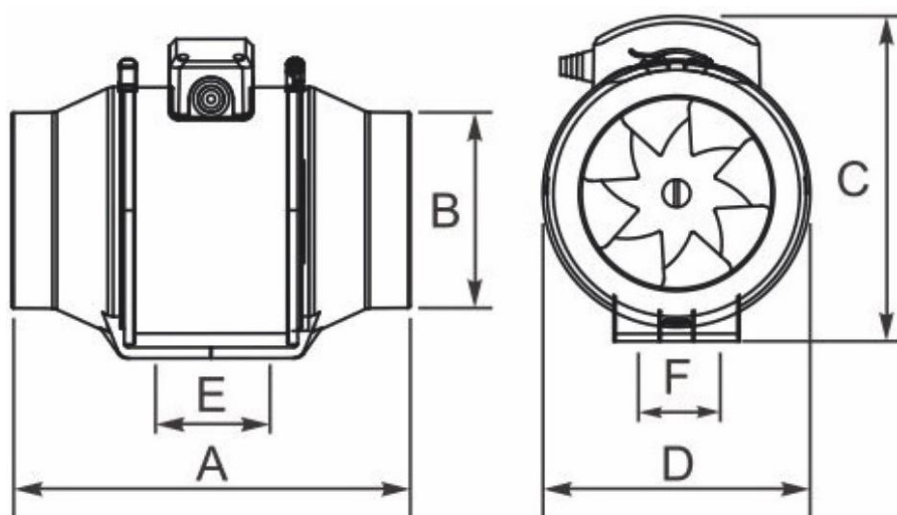
## DVP HIDE PIPE DIAGONAL FAN



R-010109-VO/VO-[V]-A0

### TECHNICAL PROPERTIES

DIMENSIONS (mm)	A	B	C	D	E	F
DVP HIDE 100	258	99	216	178	80	60
DVP HIDE 125	258	123	216	178	80	60
DVP HIDE 150	304	148	248	204	93	60



Označení typu Type	objednací číslo ordering code	El. napájení Power supply V~50 Hz	El. příkon Power consumption [W]	Vzduchový výkon Airflow capacity [m³/h]	Výtlač Discharge pressure [Pa]	Akustický tlak Sound pressure level Lp (3m) [dB (A)]	[kg]	Krytí IP
<b>DVP HIDE 150</b>	0948	220 – 240	40/45/55	288/330/432	100/150/220	54/55/63	2,9	X2
<b>DVP HIDE 125</b>	0947	220 – 240	24/26/36	180/200/280	80/100/140	41/46/56	2,1	X2
<b>DVP HIDE 100</b>	0946	220 – 240	22/24/33	120/138/198	90/110/140	41/46/56	2	X2

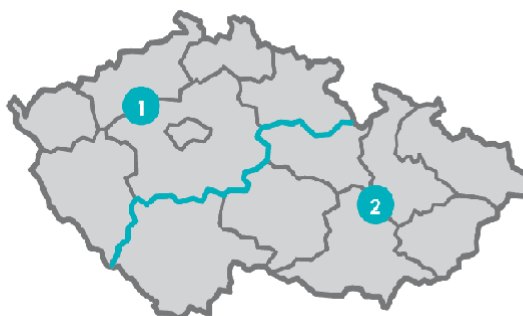
Maximum continuous operation time: 5000 hours

Maximum operating temperature: 35°C

More information at [www.haco.cz](http://www.haco.cz) or from sales representatives:

**1 Zuzana Matuchová**  
tel.: +420 606 837 411  
e-mail: zuzana.matuchova@haco.cz

**2 Ladislav Chloupek**  
tel.: +420 739 464 938  
e-mail: ladislav.chloupek@haco.cz



Odp - zpracoval:	David Behner	Spr - schválil:	Jan Hájek	Datum:	
Podpis:		Podpis:		Strana / Počet stran:	2/2