

BASIC INFORMATION

STAINLESS STEEL INSPECTION DOORS are completely made of high-quality stainless steel, brushed food-grade steel, which is weather-resistant and therefore suitable for outdoor and indoor installation. It is not suitable to place the door in an environment where there is a higher concentration of aggressive chemicals such as chlorine, ammonia, road salt.

STAINLESS STEEL INSPECTION DOORS are equipped with a patented opening system, when the door leaf can be completely removed after clicking the two latches, creating an unrestricted handling space.

STAINLESS STEEL INSPECTION DOORS are used as a design cover for various inspection elements. They are suitable as doors to HUP, shafts, risers in bathrooms, common areas of apartment buildings, etc.

STAINLESS STEEL INSPECTION DOORS are available in dimensions 400x400, 500x500, 400x600, 600x600 mm. Upon delivery, the inspection door is covered with a laser protective gray film. This prevents damage to the product during processing and assembly.



FEATURES AND BENEFITS

- firmly anchored inner frame,
- quality workmanship guaranteeing a long service life,
- resistant to weather effects,
- solid welded frame,
- simple installation and easy maintenance,
- intuitive and easy opening and closing,
- the design of the door does not disturb the surrounding design.

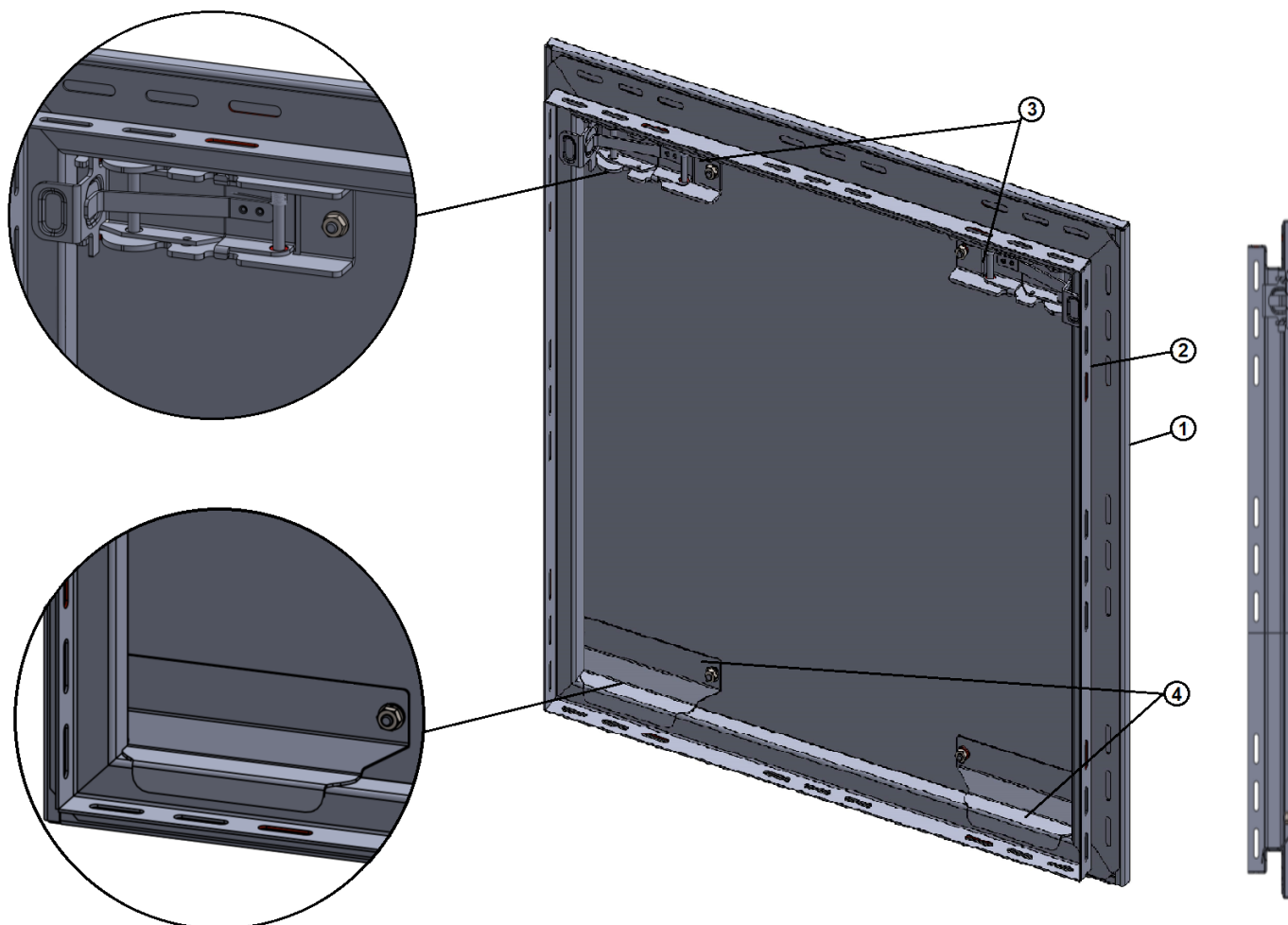
Odp - zpracoval:	Ladislav Chloupek	Spr - schválil:	Jan Hájek	Datum:	
Podpis:		Podpis:		Strana / Počet stran:	1/3

TECHNICAL SHEET STAINLESS STEEL INSPECTION DOOR



N-240221-(OZ)/(VO)-[V]-A0

DIMENSION



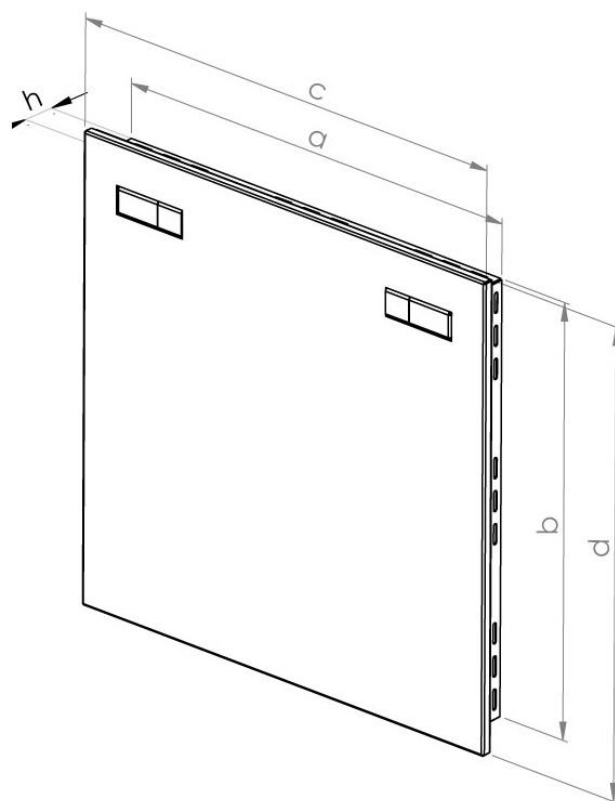
No	Component name	Material
1	Door wing	Stainless, food-grade steel class DIN 1.4301 (AISI 304)
2	Frame	Stainless, food-grade steel class DIN 1.4301 (AISI 304)
3	Latch	Stainless, food-grade steel class DIN 1.4301 (AISI 304)
4	Stopper	Stainless, food-grade steel class DIN 1.4301 (AISI 304)

Odp - zpracoval:	Ladislav Chloupek	Spr - schválil:	Jan Hájek	Datum:	
Podpis:		Podpis:		Strana / Počet stran:	2/3

TECHNICAL SHEET STAINLESS STEEL INSPECTION DOOR



N-240221-(OZ)/(VO)-[V]-A0



Name	Order number	Dimension (mm)				
		a	b	c	d	h
NRD 400x400	0143	397	397	430	430	40
NRD 400x600	0145	397	597	430	630	40
NRD 500x500	0144	497	497	530	530	40
NRD 600x600	0146	597	597	630	630	40

Sheet Thickness	1 mm
------------------------	------

For more information, please [contact www.haco.cz](http://www.haco.cz) or our sales representatives:

1 Zuzana Matuchová
tel.: +420 606 837 411
e-mail: zuzana.matuchova@haco.cz

2 Ladislav Chloupek
tel.: +420 739 464 938
e-mail: ladislav.chloupek@haco.cz



Odp - zpracoval:	Ladislav Chloupek	Spr - schválil:	Jan Hájek	Datum:	
Podpis:		Podpis:		Strana / Počet stran:	3/3