

BASIC INFORMATION

AL FLEX ventilation system:

- it is designed for ventilation of residential premises (kitchens, bathrooms, toilets, etc.),
- is a comprehensive, interconnected system of pipes and accessories,
- pipes are available in diameters of 100, 125 and 150 mm,
- pipes are available in lengths of 1 and 2.5 m,
- heat resistance from -40 °C to +250 °C,
- the pipe is made of aluminium and is flexible and extensible,
- has a wall thickness of 80 microns,
- the duct is airtight,
- accessories are made of galvanized sheet metal,
- Can be combined with a plastic ventilation system.

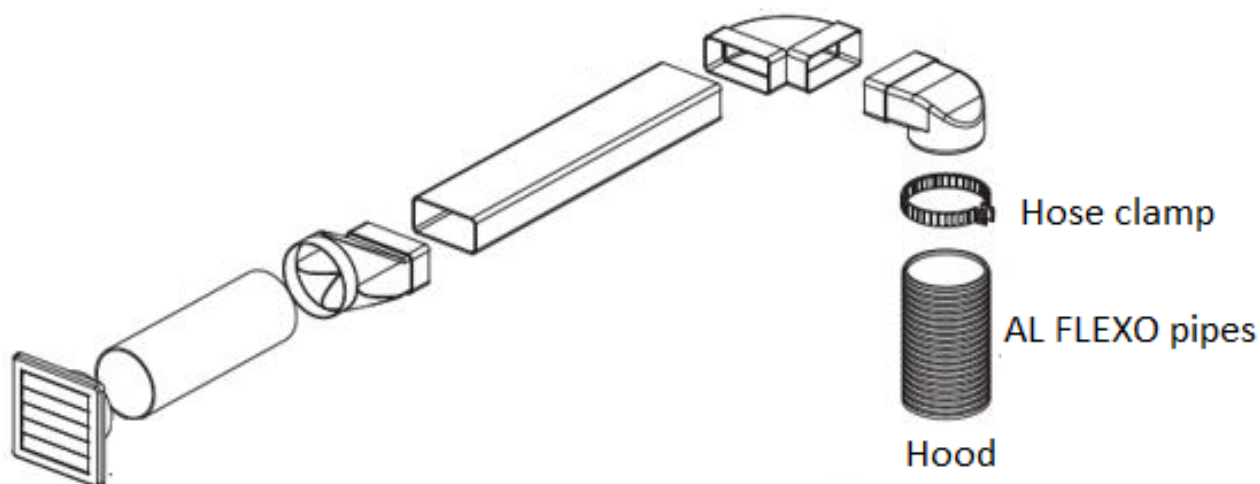
Installation:

- Individual components are connected by simply plugging them in and tightening them with a hose clamp.
- Joints can be sealed with adhesive aluminum tape.

The AL FLEXO ventilation system consists of the following elements:

Pipe, reducer, coupling, damper, clip.

Example of use:



Odp - zpracoval:	Ladislav Chloupek	Spr - schválil:	Jan Hájek	Datum:	
Podpis:		Podpis:		Strana / Počet stran:	1/4

1. Flexo Pipe

Material:

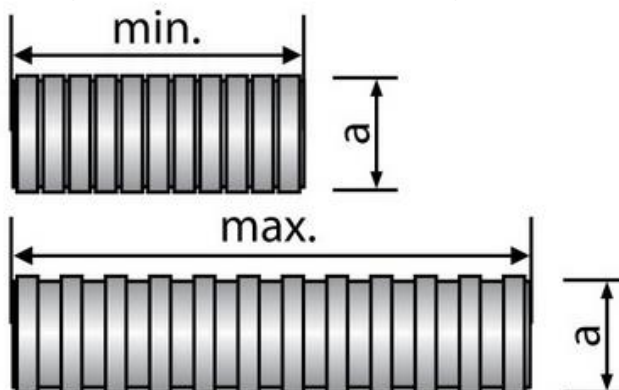
Aluminum, 80 microns thick, the pipe is airtight.

Use:

The aluminum, semi-flexible, air duct is flexible and extensible.

Installation:

With the help of a hose clamp or PVC tape, e.g. attached to a ventilation grille, the duct can be stretched to the maximum length.



typ type	obj. číslo ord. code	rozměry / dimens. [mm]			ks/kart. pcs/box
		a	min	max	
AL FLEXO Ø150/2,5 m	0609	152	580	2500	7
AL FLEXO Ø125/2,5 m	0603	122	580	2500	12
AL FLEXO Ø100/2,5 m	0604	102	580	2500	15
AL FLEXO Ø150/1 m	0610	152	230	1000	16
AL FLEXO Ø125/1 m	0601	122	230	1000	25
AL FLEXO Ø100/1 m	0602	102	230	1000	35

2. Metal RK reducer

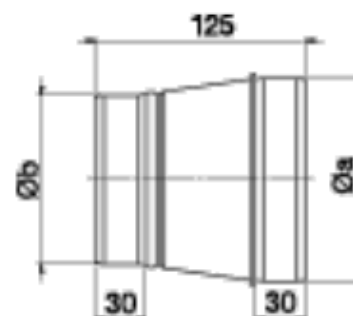
Material:

Galvanized sheet metal

Use:

The metal reducer serves as a transition between circular pipes of different diameters. It is also suitable for AL flexo pipes Ø100 to Ø 150 mm.

The metal reducer serves as a transition between circular pipes of different diameters. It is also suitable for AL flexo pipes Ø100 to Ø 150 mm.



TECHNICAL SHEET AL FLEXO VENTILATION SYSTEM



R-060622-OZ/VO-[V]-A0

typ type	obj. číslo ord. code	rozměry / dimens. [mm]			tl. plechu thickness	ks/kart. pcs/box
		a	b	c		
RK 125/150	0639	150	120	125	0,6 mm	20
RK 100/125	0638	120	100	125	0,6 mm	25

3. HSK metal coupling

Material:

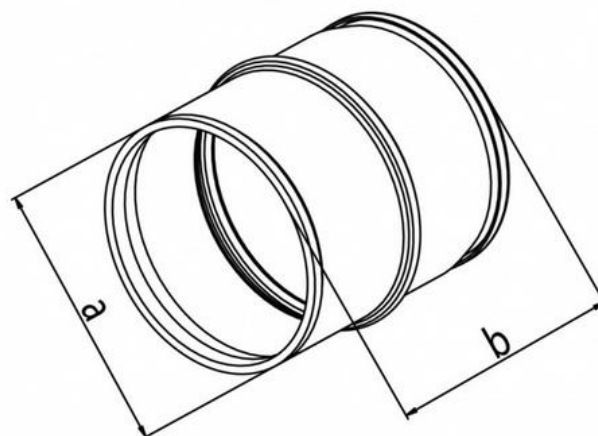
Galvanized sheet metal

Use:

Used to connect flexo pipes, the coupling has a return lip on both sides to prevent the flexo pipe from stripping.

Installation:

Coupling insert the flexo duct inside and tighten it with the HS W1 hose clamp of the appropriate diameter.



typ type	obj. číslo ord. code	rozměry / dimensions [mm]		tl. plechu thickness	ks/kart. pcs/box
		a	b		
HSK 150	0611	148	80	0,6 mm	30
HSK 125	0607	118	80	0,6 mm	45
HSK 100	0608	98	80	0,6 mm	70

4. Hose clamp HS W1

Material:

Galvanized sheet metal

Use:

It is used to connect flexo ducts to air ducts, fans, grilles, etc.

Installation:

With a regular screwdriver or Phillips screwdriver, the clip can be used to secure the flexo pipe to the hose connector, ventilation grille, poppet valve and fan. The clasp can also be used more than once.

typ type	obj. číslo ord. code	rozměry [mm] / dimensions [mm]		ks/kart. pcs/box
		min	max	
HS W1 150	0612	Ø140	Ø160	50
HS W1 125	0605	Ø120	Ø140	60
HS W1 100	0606	Ø90	Ø110	80



Odp - zpracoval:	Ladislav Chloupek	Spr - schválil:	Jan Hájek	Datum:	
Podpis:		Podpis:		Strana / Počet stran:	3/4

5. Non-return valve ZKK

Materiál:

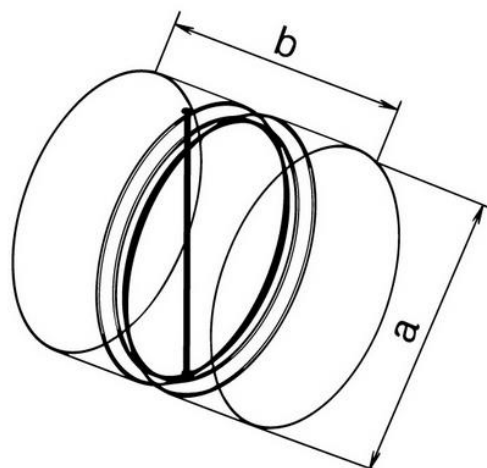
Galvanized sheet metal

Use:

It is used to prevent backdraft in the pipeline.

Installation:

Insert the non-return valve inside the flexo duct and tighten it with the HS W1 hose clamp.

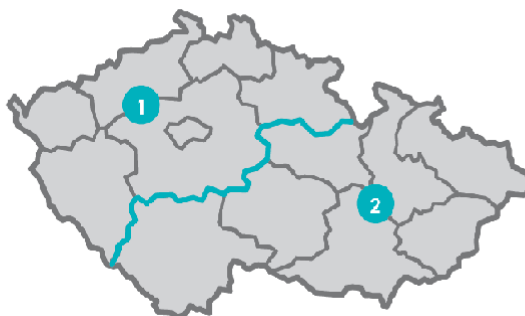


typ type	obj. číslo ord. code	rozměry / dimensions [mm]		tl. plechu thickness	ks/kart. pcs/box
		Ø a	b		
ZKK 150	0643	150	120	0,6 mm	20
ZKK 125	0642	125	100	0,6 mm	36
ZKK 100	0641	100	86	0,6 mm	60

For more information, please contact www.haco.cz or our sales representatives:

1 Zuzana Matuchová
tel.: +420 606 837 411
e-mail: zuzana.matuchova@haco.cz

2 Ladislav Chloupek
tel.: +420 739 464 938
e-mail: ladislav.chloupek@haco.cz



Odp - zpracoval:	Ladislav Chloupek	Spr - schválil:	Jan Hájek	Datum:	
Podpis:		Podpis:		Strana / Počet stran:	4/4