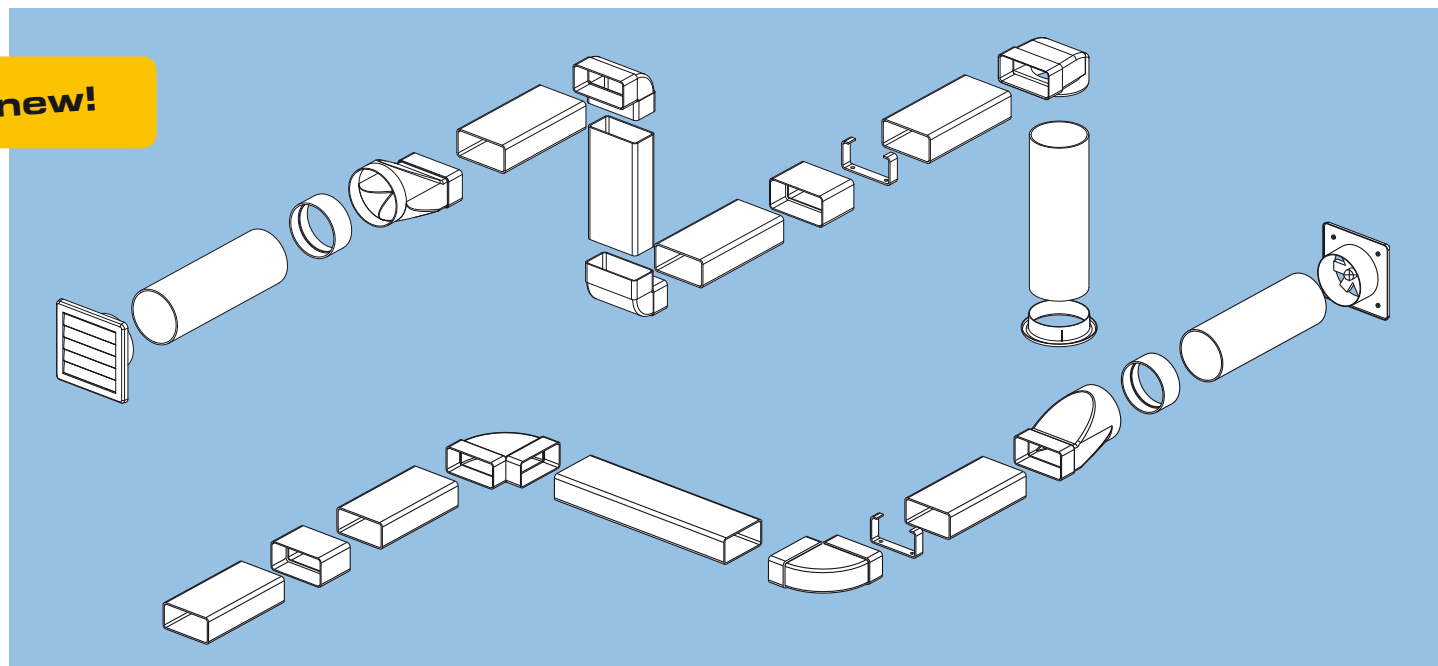


new!



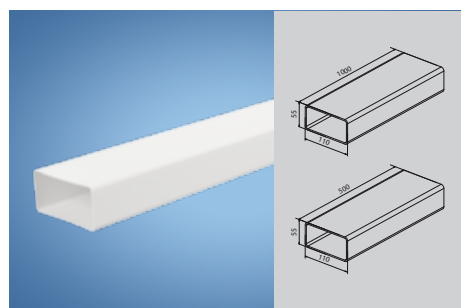
Application: A plastic modular system for ventilating small spaces such as kitchens, bathrooms, toilets etc.

Material: Our products are made of quality PVC and ABS plastics. Flat and round channels additionally contain an antistatic component to prevent dust build-up.

Installation: Individual pieces are connected simply by sliding them into each other. Joints can be sealed using silicone or duct tape.

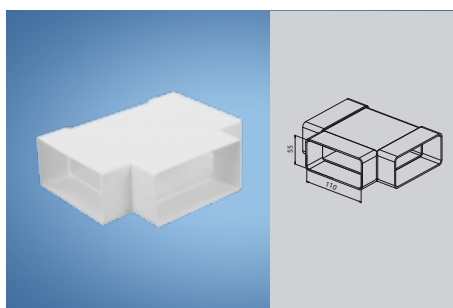
Features and advantages: Easy connection, fast assembly, light weight. The range of parts and shapes allows for complex ducts. Easy length adjustment (with tools such as a hacksaw). The system does not corrode. Other HACO products such as ventilation grilles and fans can be integrated with individual pieces.

Shape stability guaranteed thanks to the wall thickness of 1.5 mm.



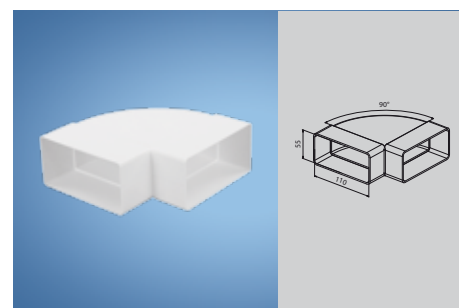
Flat channel

Type	Ordering code	Dimensions (mm)		
		a	b	c
V 110×55×1000	632	110	55	1000
V 110×55×500	613	110	55	500



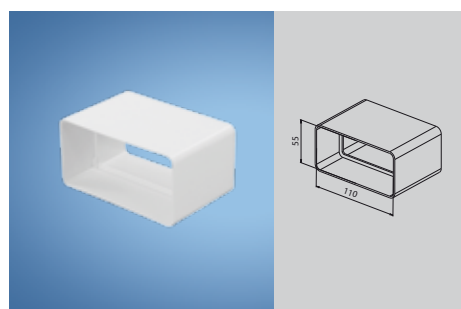
T fitting

Type	Ordering code	Dimensions (mm)	
		a	b
CTP 3×110×55	614	110	55



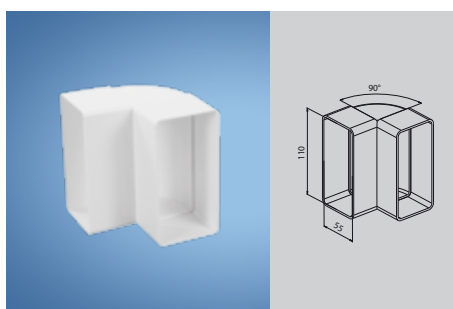
Flat horizontal elbow

Type	Ordering code	Dimensions (mm)	
		a	b
CKH 2×110×55	615	110	55



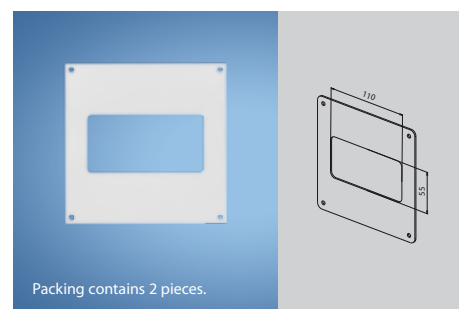
Flat channel coupling

Type	Ordering code	Dimensions (mm)	
		a	b
CVP 110×55	616	110	55



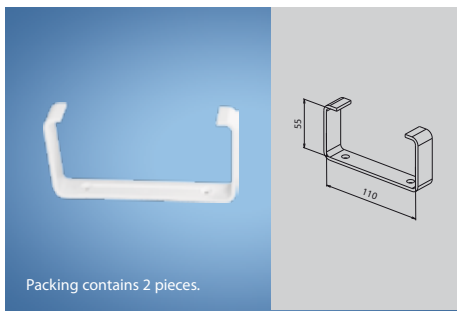
Vertical elbow

Type	Ordering code	Dimensions (mm)	
		a	b
CKP 2×110×55	617	110	55



Wall flange

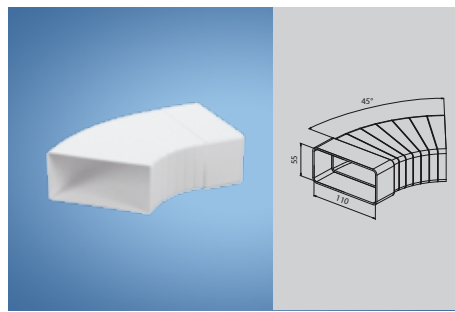
Type	Ordering code	Dimensions (mm)	
		a	b
UKP 110×55	618	110	55



Packing contains 2 pieces.

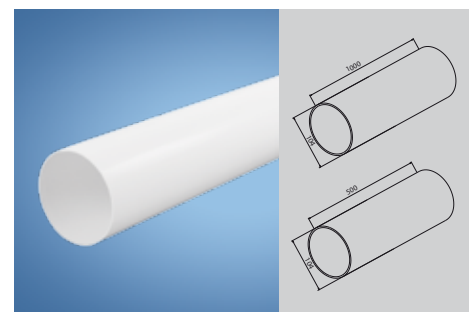
Channel mount

Type	Ordering code	Dimensions (mm)	
		a	b
UMP 110x55	619	110	55



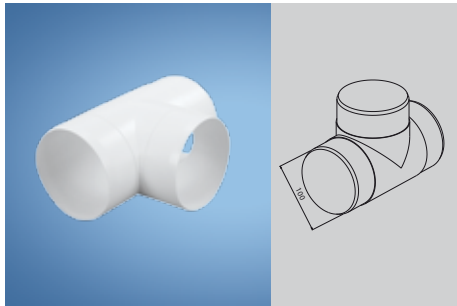
Angle bar

Type	Ordering code	Dimensions (mm)	
		a	b
CKW 2x110x55	620	110	55



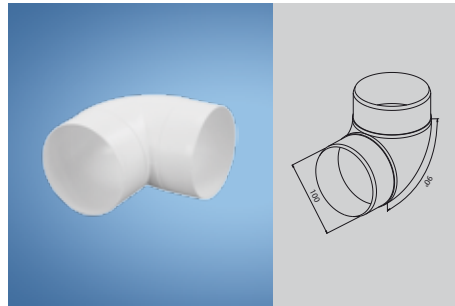
Round channel

Type	Ordering code	Dimensions (mm)	
		a	b
V 104x1000	621	Ø104	1000
V 104x500	622	Ø104	500



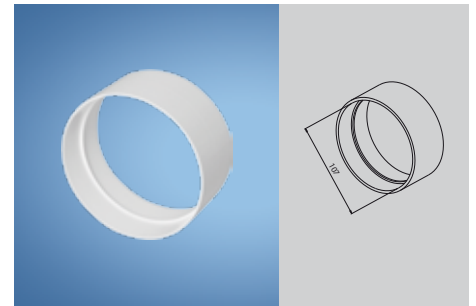
T fitting

Type	Ordering code	Dimensions (mm)
		a
CTO 3x100	623	Ø100



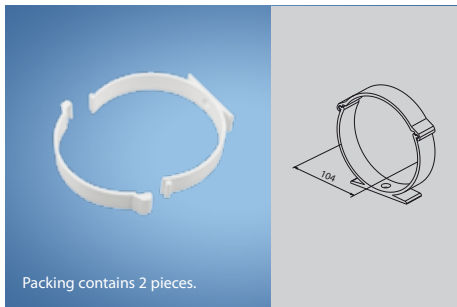
Round horizontal elbow

Type	Ordering code	Dimensions (mm)
		a
CKO 90/100	624	Ø100



Round channel coupling

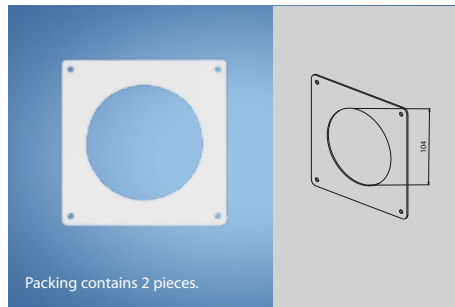
Type	Ordering code	Dimensions (mm)
		a
CVO 107	625	Ø107



Packing contains 2 pieces.

Channel mount

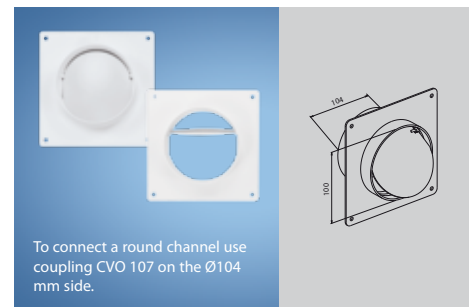
Type	Ordering code	Dimensions (mm)
		a
UMO 104	626	Ø104



Packing contains 2 pieces.

Wall flange

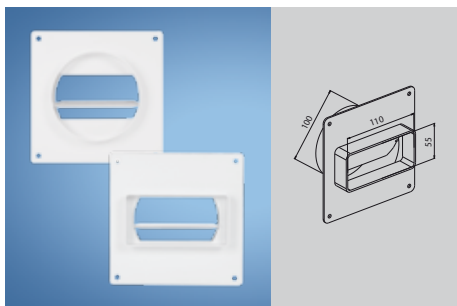
Type	Ordering code	Dimensions (mm)
		a
UKO 100	627	Ø104



To connect a round channel use coupling CVO 107 on the Ø104 mm side.

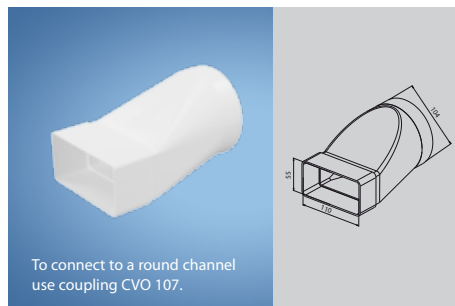
Coupling with damper

Type	Ordering code	Dimensions (mm)	
		a	b
COP 100/104	628	Ø100	Ø104



Reducer with damper

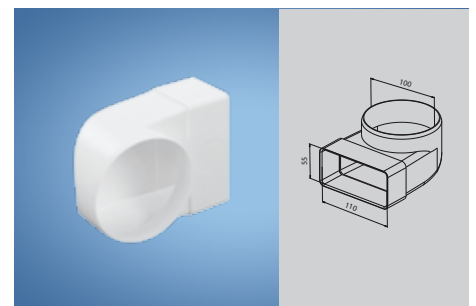
Type	Ordering code	Dimensions (mm)		
		a	b	c
CZP 110x55/100	629	110	55	Ø100



To connect to a round channel use coupling CVO 107.

Reducer

Type	Ordering code	Dimensions (mm)		
		a	b	c
CKD 104/110x55	630	110	55	Ø104



Reducing elbow

Type	Ordering code	Dimensions (mm)		
		a	b	c
CKZ 100/110x55	631	110	55	Ø100