

INOX VENTILATION GRILLES AND ACCESSORIES



VENTILATION GRILLE INOX

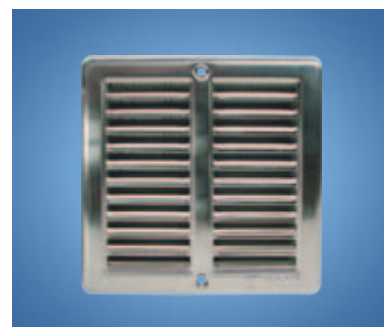
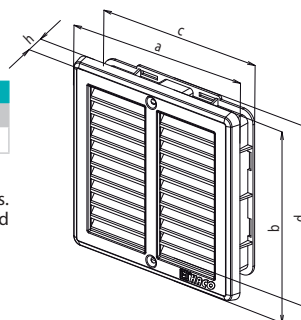
For interior or exterior installations, with INOX insect screen.

Type	Order Nr.	Dimensions (mm)				
		a	b	c	d	h
VM 150x150 N	701	155	155	143	143	9

Material: high quality stainless steel DIN 1.4301.

Packaging contains: ventilation grille, mounting frame (plastic), screws and fasteners.

Installation: build up frame, cut out crossing, grille screw up to the frame grille can be adjusted on the mounting frame.



VENTILATION GRILLE INOX

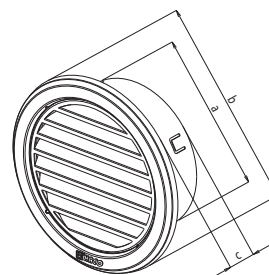
For interior or exterior installations, with INOX insect screen.

Type	Order Nr.	Dimensions (mm)		
		a	b	c
VM Ø75 N	703	70	97	24
VM Ø100 N	704	99	127	36
VM Ø110 N	702	103	133	20
VM Ø125 N	705	117	146	36
VM Ø150 N	706	150	180	36

Material: high quality stainless steel DIN 1.4301.

Packaging contains: ventilation grille.

Installation: into the standardization DN tubes or direct to building inlet (silicone).

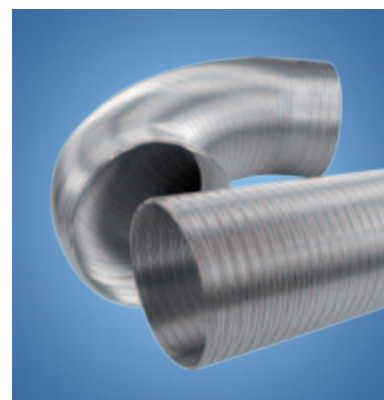
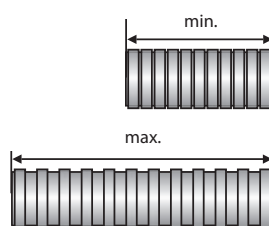


ALU FLEXIBLE TUBE

Flexible ventilation hose made of aluminium.

Type	Order Nr.	Dimensions (mm)	
		min.	max.
AL flexo Ø100/1 m	602	230	1000
AL flexo Ø125/1 m	601	230	1000
AL flexo Ø150/1 m	610	230	1000
AL flexo Ø100/2,5 m	604	580	2500
AL flexo Ø125/2,5 m	603	580	2500
AL flexo Ø150/2,5 m	609	580	2500

Material: Aluminium, temperature resistant up to 250°C.



TUBE FASTENER

Type	Order Nr.	Dimensions (mm)	
		min.	max.
HS W1 100	606	Ø90	Ø110
HS W1 125	605	Ø120	Ø140
HS W1 150	612	Ø140	Ø160

Material: galvanized iron.



TUBE CONNECTOR

Type	Order Nr.	Dimensions (mm)		
		diameter	width	diameter steel
HSK 100	608	Ø100	80	0,6
HSK 125	607	Ø125	80	0,6
HSK 150	611	Ø150	80	0,6

Material: galvanized iron.



INOX — Material is high quality stainless steel DIN 1.4301.

new!

New product, starting in July 2010.



EUROPEAN UNION
EUROPEAN REGIONAL DEVELOPMENT FUND
INVESTMENT IN YOUR FUTURE

BULGARIA CROATIA CZECH REPUBLIC FRANCE GERMANY HUNGARY LATVIA LITHUANIA ROMANIA RUSSIA SLOVENIA SLOVAKIA UKRAINE

HACO, spol. s r. o.

Svobody 826/88, 460 15 Liberec 15, Czech Republic
phone: +420 482 750 620, +420 482 750 621, fax: +420 482 750 619
GSM: +420 604 203 541, e-mail: haco@haco.cz

www.haco.cz